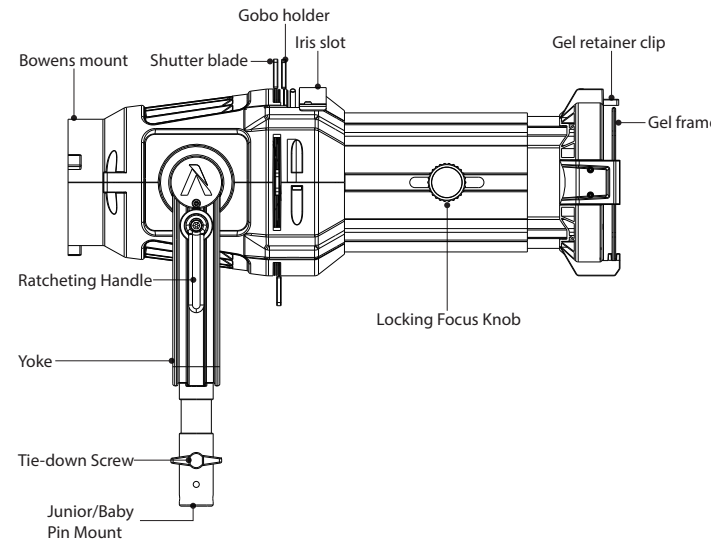


Aputure Spotlight Mount User Manual

Thank you for purchasing an Aputure product.

The Aputure Spotlight Mount is a high precision optical accessory. Its built-in Bowens mount allows it to be attached to all Aputure LightStorm COB products, such as the 120d, 120d II, 300d, and more.

Fixture Components



Main Features

1. Aluminum alloy die castings. Durable and lightweight design.
 2. Precision optical system gives a high output, high resolution, and even beam.
 3. Interchangeable spotlight lens design with option of 19, 26, and 36 degree lenses.
 4. Three-layer-shutter allows for more flexible light shaping.
 5. Standard Bowens mount.
 6. Dual slot design allows for the use of iris and Gobos (B size) simultaneously.
 7. Accessories: Gobo x3 (Tree, Window, Abstract), Gobo holder x1, Gel holder x1.
- * Iris sold separately.*

Package includes

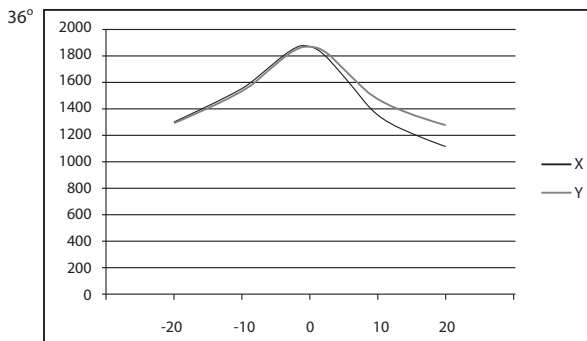
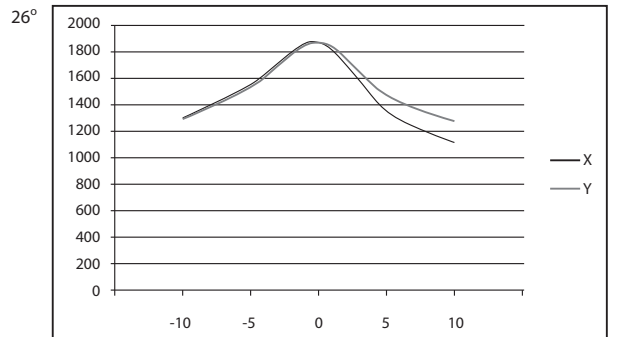
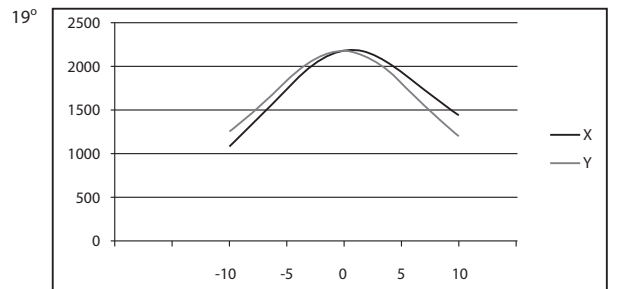
1. Spotlight Mount x1
2. Gobo Holder x1
3. Gel Frame x1
4. Gobo Pattern x3
5. Lens Cleaning Kit x1

Specifications

1. Brightness with different light fixture at different distance

Model	Distance	Beam Diameter	19°		26°		36°	
			Brightness /Lux	Brightness /Fc	Brightness /Lux	Brightness /Fc	Brightness /Lux	Brightness /Fc
120d	1.5 m /5 ft	42 cm /16 inches	15740	1471	9910	926	5870	549
120d II			23590	2205	13900	1299	8040	751
300d			24330	2274	20100	1879	12350	1154
120d	3 m /10 ft	90 cm /35 inches	3860	361	2387	223	1376	129
120d II			6280	587	3620	338	2175	203
300d			5970	558	4910	459	3250	304
120d	5 m /16 ft	154 cm /60 inches	1435	134	855	80	509	48
120d II			2283	213	1281	120	772	72
300d			2300	215	1872	175	1270	119
120d	10 m /32 ft	314 cm /123 inches	372	35	232	22	144.5	14
120d II			554	52	318	30	196.8	18
300d			560	52	498	47	332.7	31

2. Cosine diagram for uniformity



3. Size & Weight

Product Dimensions	434.5x218.7x357mm/17.1x8.6x14.1"	
Box Dimensions	455x290x260mm/17.9x11.4x10.2"	
Weight	19°	4.59kg/10.1lbs
	26°	5.02kg/11.1lbs
	36°	5.11kg/11.3lbs

⚠ High temperature warning

When the spotlight mount is attached to the 300d, the surface temperature can reach up to 70 Degree C. Please do not touch it with your hands.

Detailed product manual for Spotlight mount can be found on www.aputure.com

Aputure | GUARANTEE CARD

Service Warranty (EN)

Aputure photo tech ltd warrants the original consumer purchaser from defects in material and workmanship for a period of one (1) year after the date of purchase. For more details of warranty visit www.aputure.com

Important:

Keep your original sales receipt. Be sure the dealer has written on it the date, serial No. of the product. This information is required for warranty service.

This warranty does not cover:

- Damage that is the result of misuse, abuse, accident (including but not limited to damage by water), faulty connection, defective or maladjusted associated equipment, or the use of the product with equipment for which it was not intended.
- Cosmetic defects that appear more than thirty (30) days after the date of purchase. Cosmetic damage caused by improper handling is also excluded.
- Damage that occurs while the product is being shipped to whoever will service it.

This warranty is void if:

- The product identification or serial No. label is removed or defaced in any way.
- The product is serviced or repaired by any one other than Aputure or an authorized Aputure dealer or service agency.

Aputure Imaging Industries Co. Ltd.

Add: F/3, Building 21, Longjun industrial estate,

HePing West Road, Shenzhen, Guangdong

E-MAIL: cs@aputure.com

Sales Contact: (86)0755-83285569-613

Serial No.	
Item Name	
Purchase Date	
Buyer Name	
Buyer Phone	
Buyer Add	
Franchiser Seal	